



WASTEWATER CLEANUP SYSTEM

The Cost Effective Approach to Quality Filtration

FTC's Wastewater Cleanup Systems are designed to remove solids and low concentrations of oil from contaminated water.

The first stage utilizes FTC's U.S. Patent numbers 5160442 & 5824232 to provide absolute rated solids removal while coalescing oil from water. The second stage utilizes FTC's "Oil Guzzler" that is designed to remove any remaining oil through the adsorption and absorption processes.

One 740 "OIL GUZZLER" is designed to hold more than six liters of oil before reaching the maximum differential pressure of 35 PSI. The built in flow cutoff mechanism provides a positive indication of cartridge change-out time prior to any oil bypass.

Systems are optimized for weight, height, footprint, and ease of filter replacement. Larger capacity systems are available.

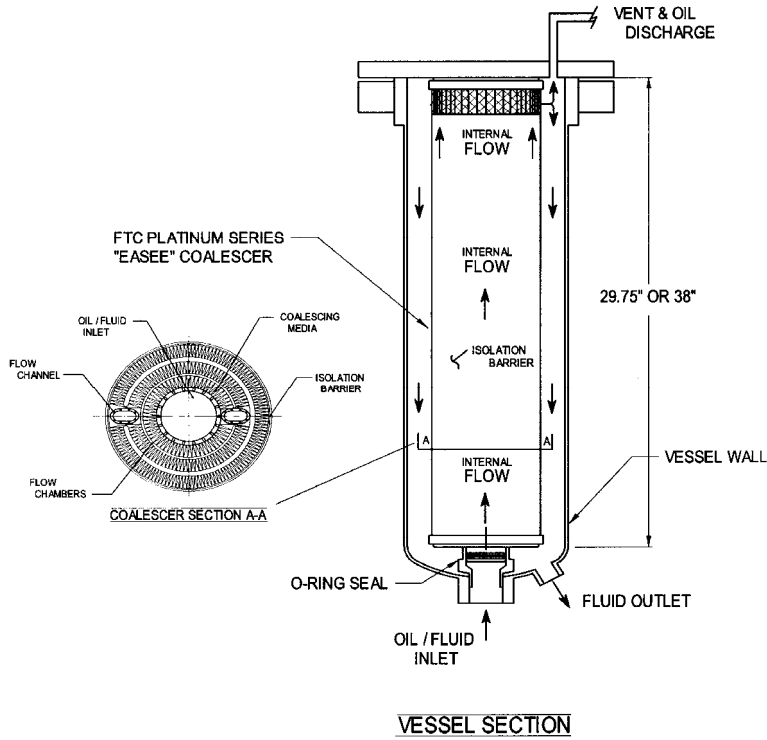


Model 4 Wastewater Cleanup System
Shown with Offshore Packaging Options

STANDARD SYSTEMS

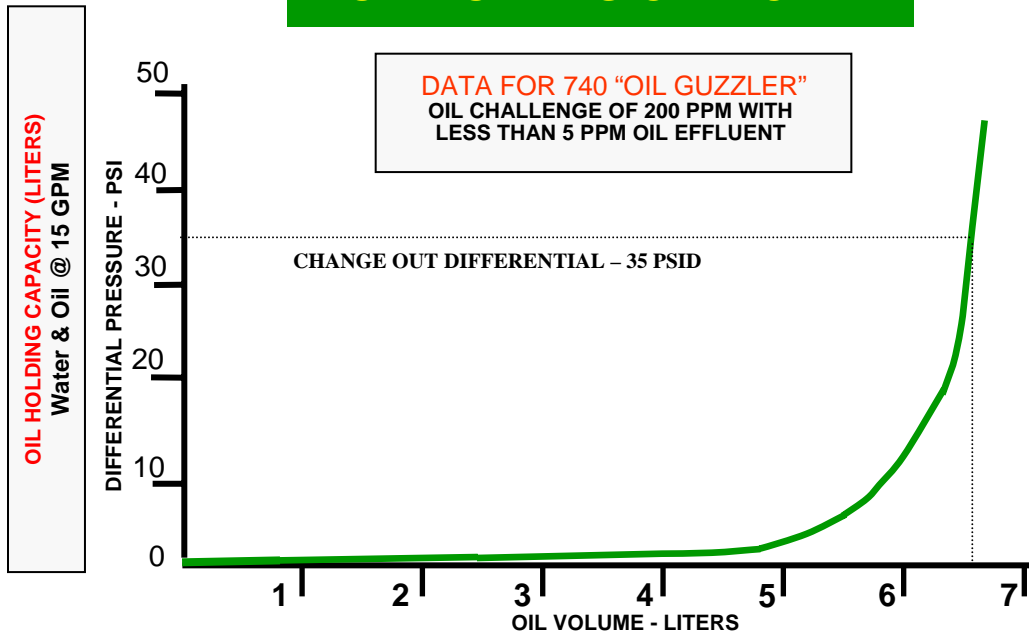
UNIT	FLOW RATE	SYSTEM DESCRIPTION
Model 1	15 GPM	Dual 8" OD vessels with 1 element each, 2" inlet/outlet Skid Parameters: 15"W x 30"L x 60"H Approx. Weight: 400#
Model 2	45 GPM	Dual 16" OD vessels with 3 elements each, 3" inlet/outlet Skid Parameters: 24"W x 48L x 66"H Approx. Weight: 1500#
Model 3	60 GPM	Dual 18" OD vessels with 4 elements each, 3" inlet/outlet Skid Parameters: 30"W x 54"L x 66"H Approx. Weight: 1800#
Model 4	105 GPM	Dual 24" OD vessels with 7 elements each, 4" inlet/outlet Skid Parameters: 42"W x 66"L x 72"H Approx. Weight: 2500#
Model 5	180 GPM	Dual 28" OD vessels with 12 elements each, 4" inlet/outlet Skid Parameters: 48"W x 72"L x 72"H Approx. Weight: 4000#
Model 6	315 GPM	Dual 36" OD vessels with 21 elements each, 4" inlet/outlet Skid Parameters: 60"W x 96"L x 84"H Approx. Weight: 7500#

FIRST STAGE PARTICLE REMOVAL / COALESCING



SECOND STAGE OIL REMOVAL

OIL HOLDING CAPACITY



Notice: The information presented here is based on tests and data which FTC believes to be reliable, but their accuracy or completeness is not guaranteed. FTC MAKES NO WARRANTIES, EXPRESS OR IMPLIED, BUT NOT LIMITED TO, ANY IMPLIED WARRANTY OR MERCHANTABILITY OR FITNESS FOR A PARTICULAR PURPOSE. The determination of whether the FTC product is fit for a particular purpose or application is the responsibility of the user.

FORM WASTEWATER CLEANUP 4/09



Filtration Technology Corporation

5175 Ashley Court
Houston, Texas 77041
(713) 849-0849 • 888-436-0849 • FAX (713) 849-0202
www.ftc-houston.com